

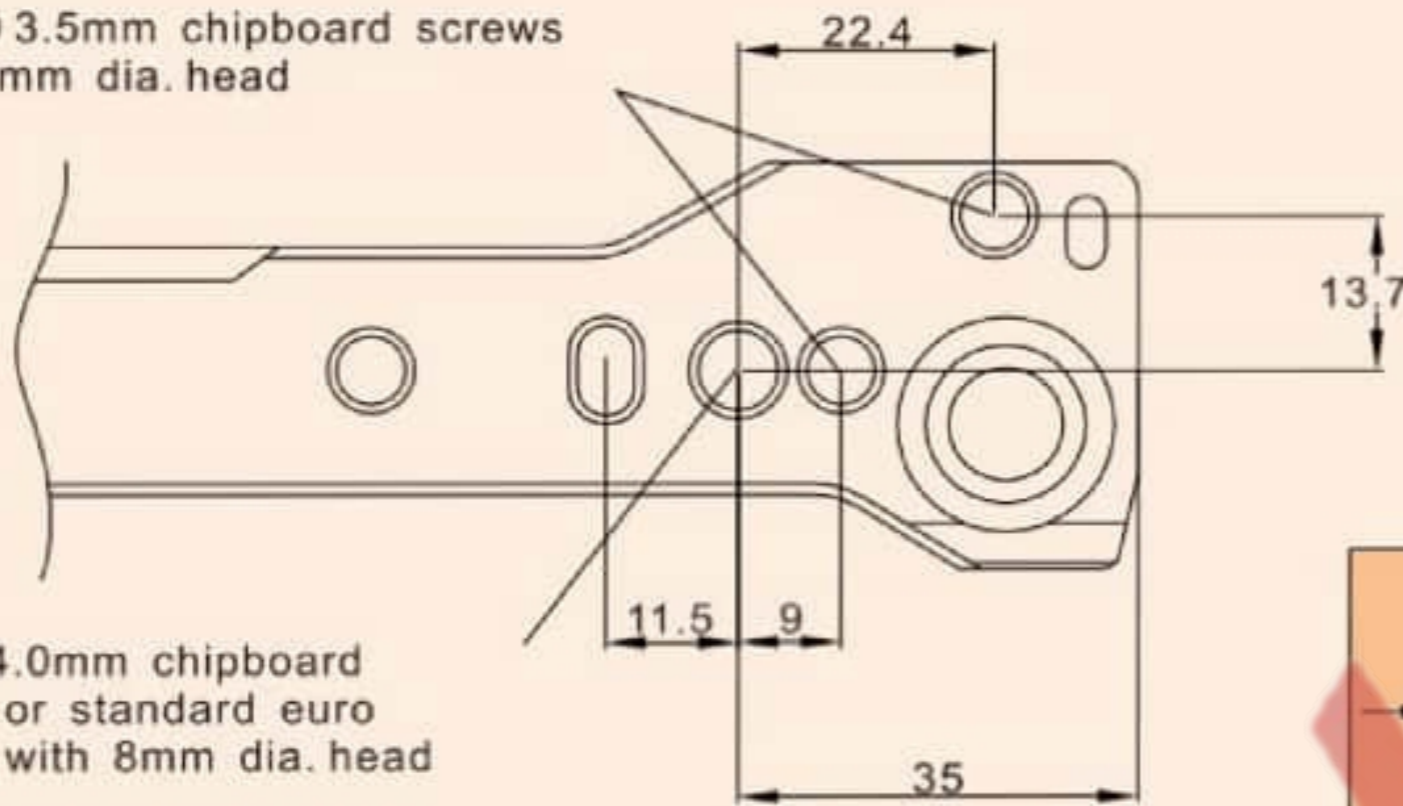
Technical Specification

- Load capacity 25kgs
- Side clearance 25mm+1mm
- 8 lengths : 250mm - 600mm
- Color available: White

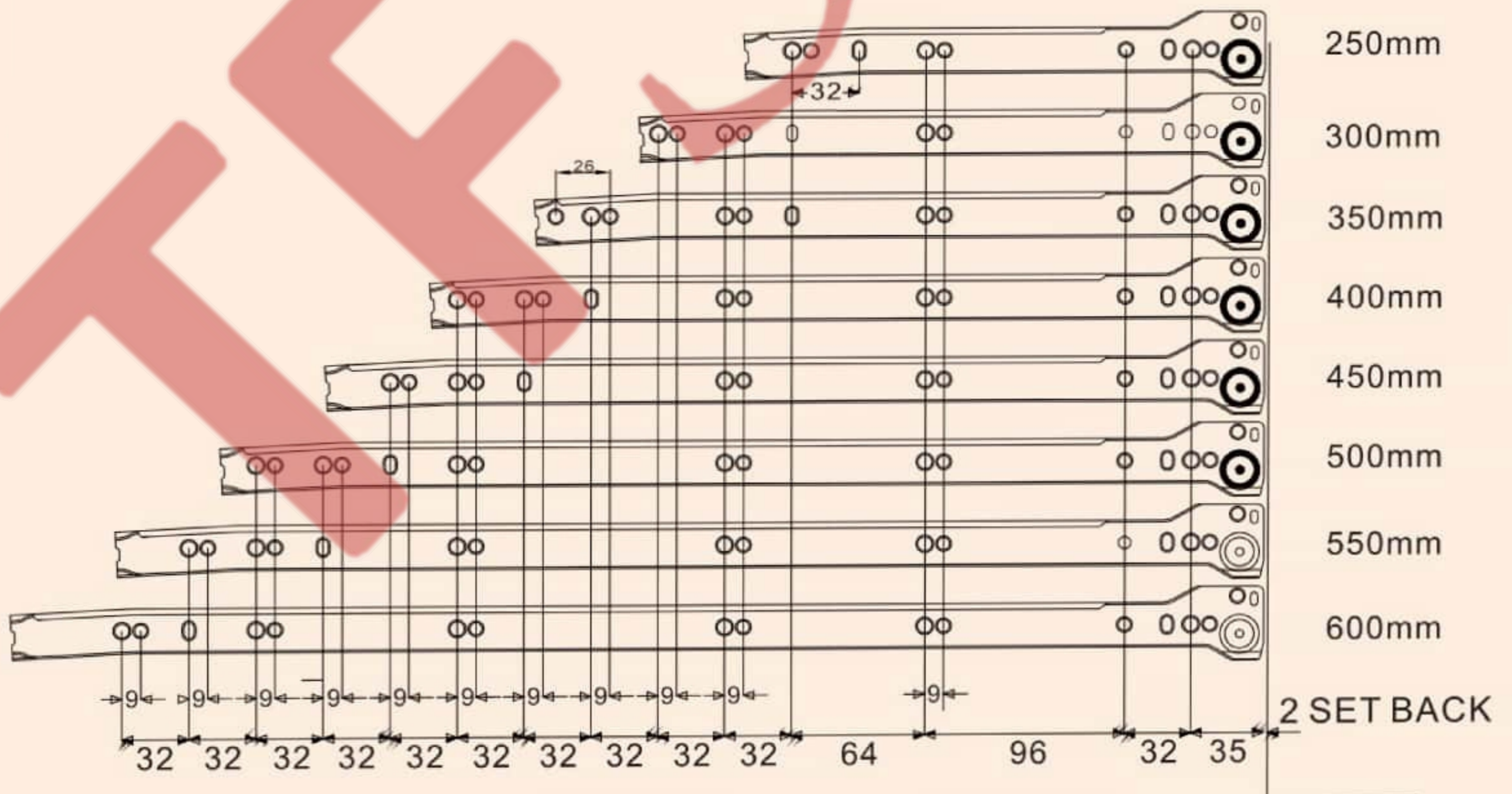
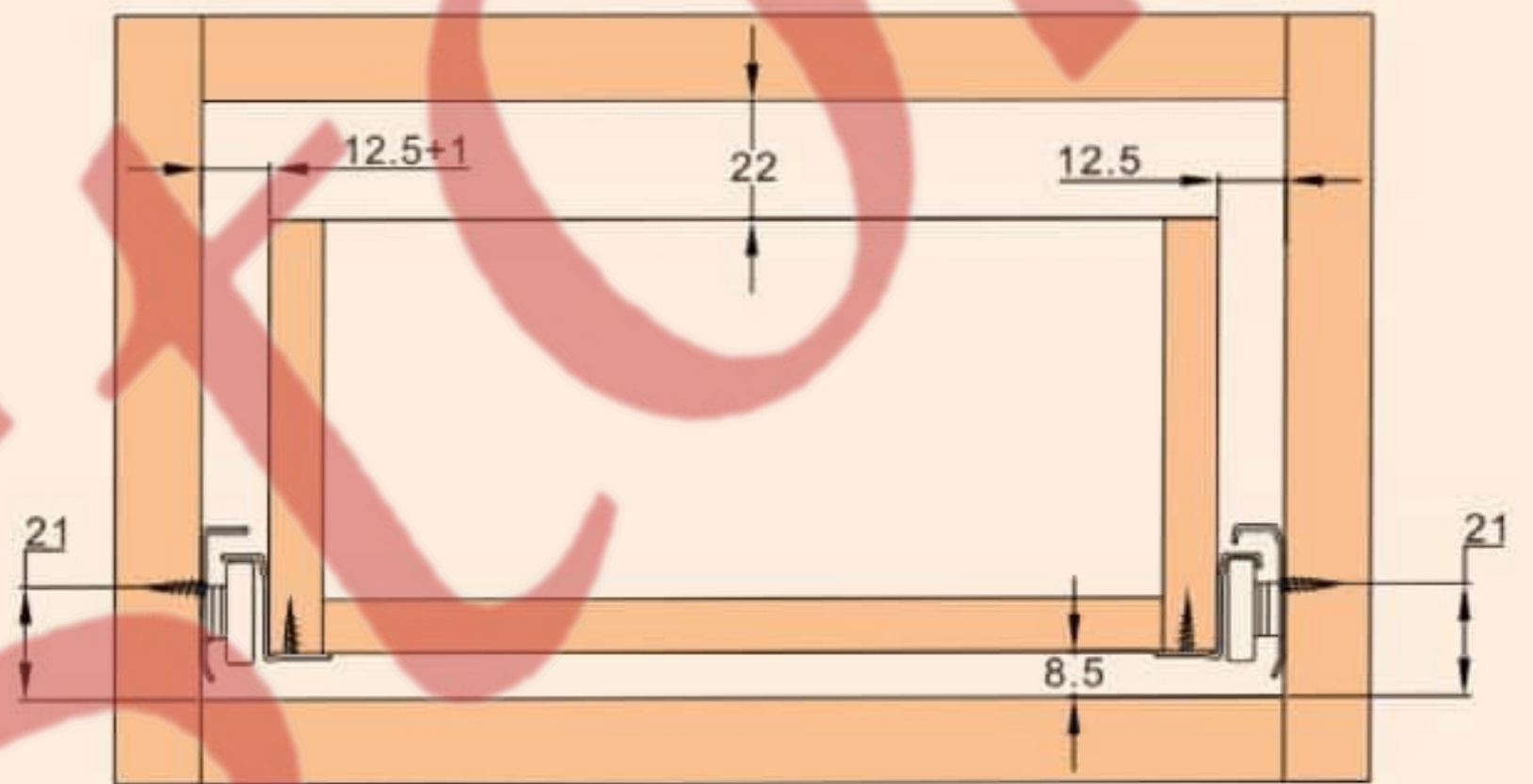


- 25 sets / 100 pieces

For \varnothing 3.5mm chipboard screws with 7mm dia. head



For \varnothing 4.0mm chipboard screws or standard euro screws with 8mm dia. head



Locked in open position



Countersunk hole - flat screw head

Self closing, quiet & smooth



Parallel drawer front gap

Double stop prevents drawer from falling out



Durability roller with washer - higher stability